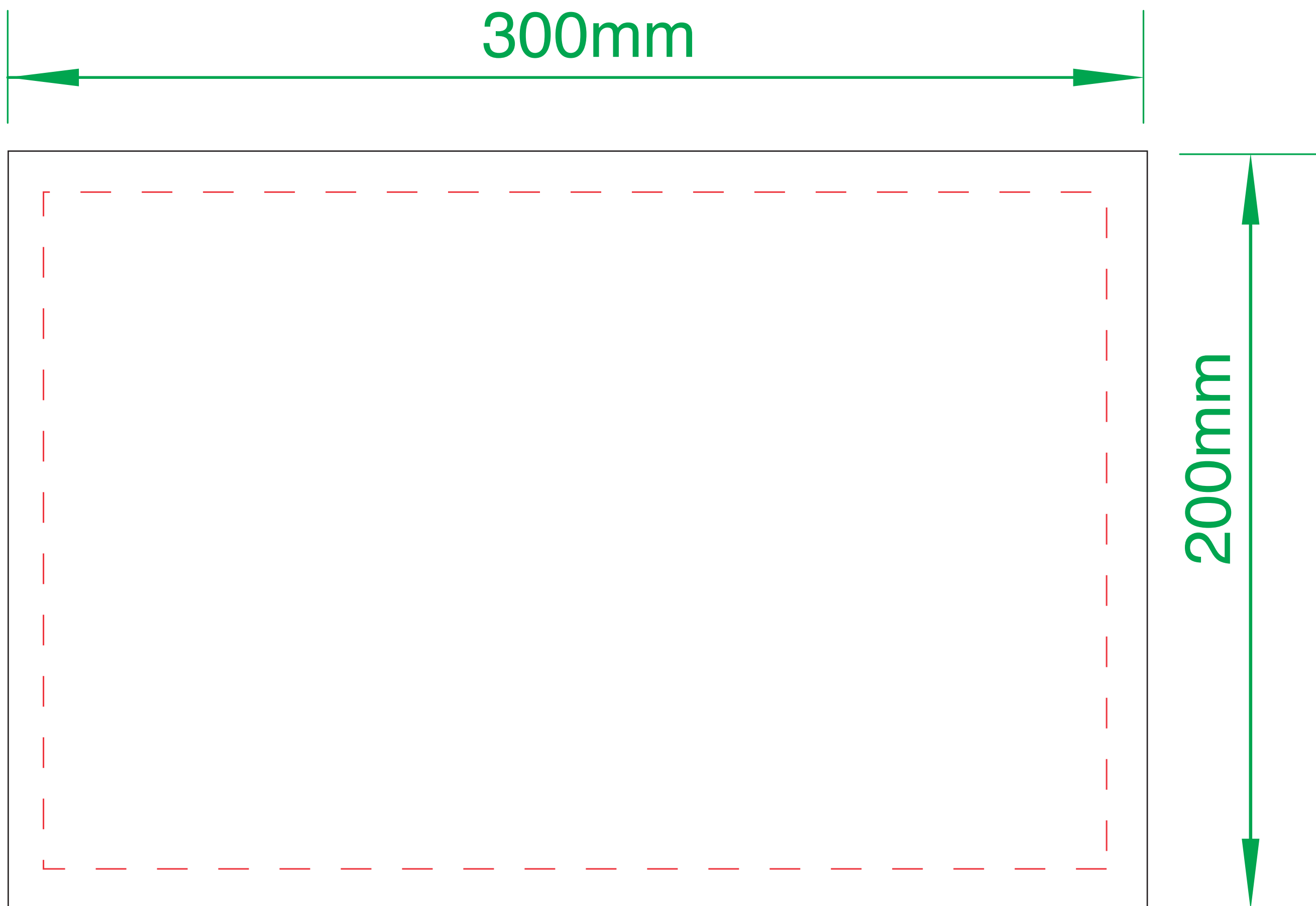


300x200mm Template



Artwork guidelines:

BLACK KEYLINE:

Actual size of panel.
Add 5mm bleed if
required.

RED DASHED LINE:

Safe print area. Keep important
text and information within this
area